

APPROVED: _____
Development Coordinator

DATE: _____

FIRE APPARATUS ACCESS NOTE

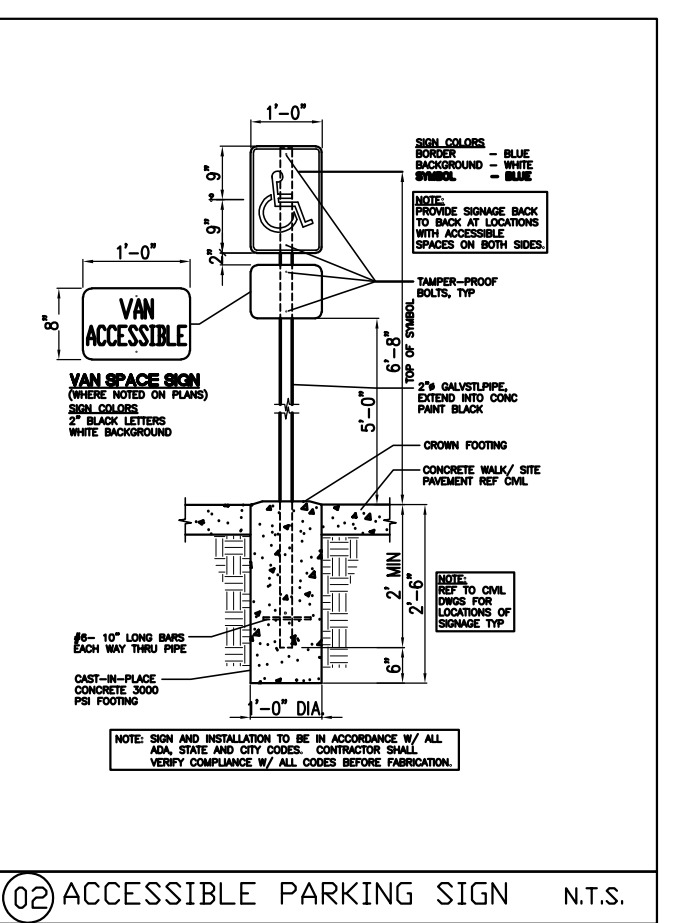
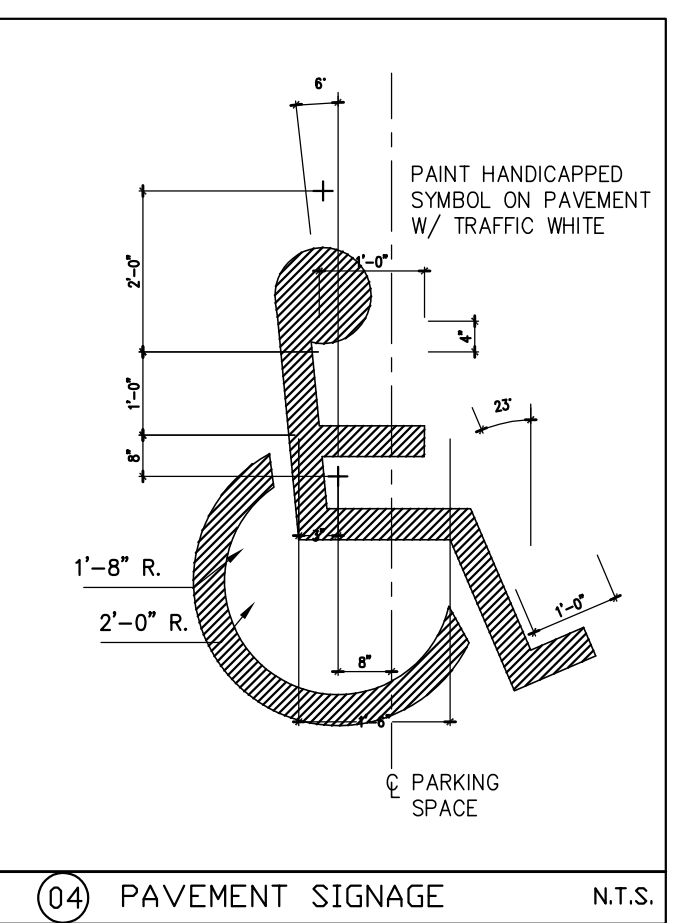
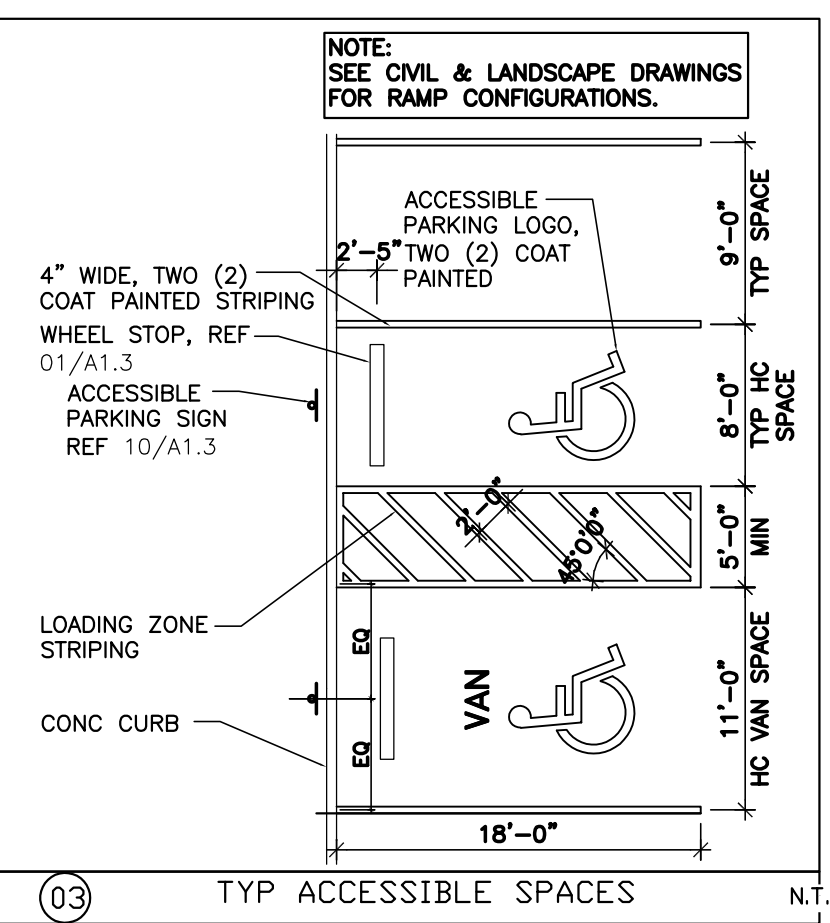
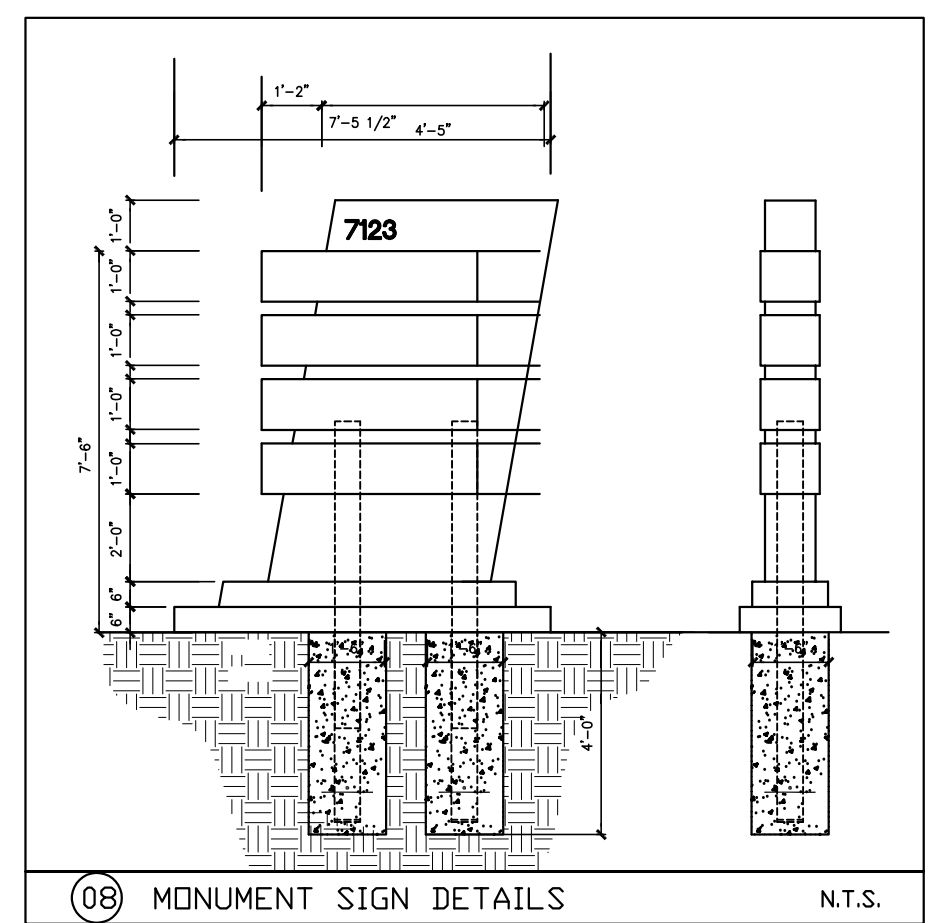
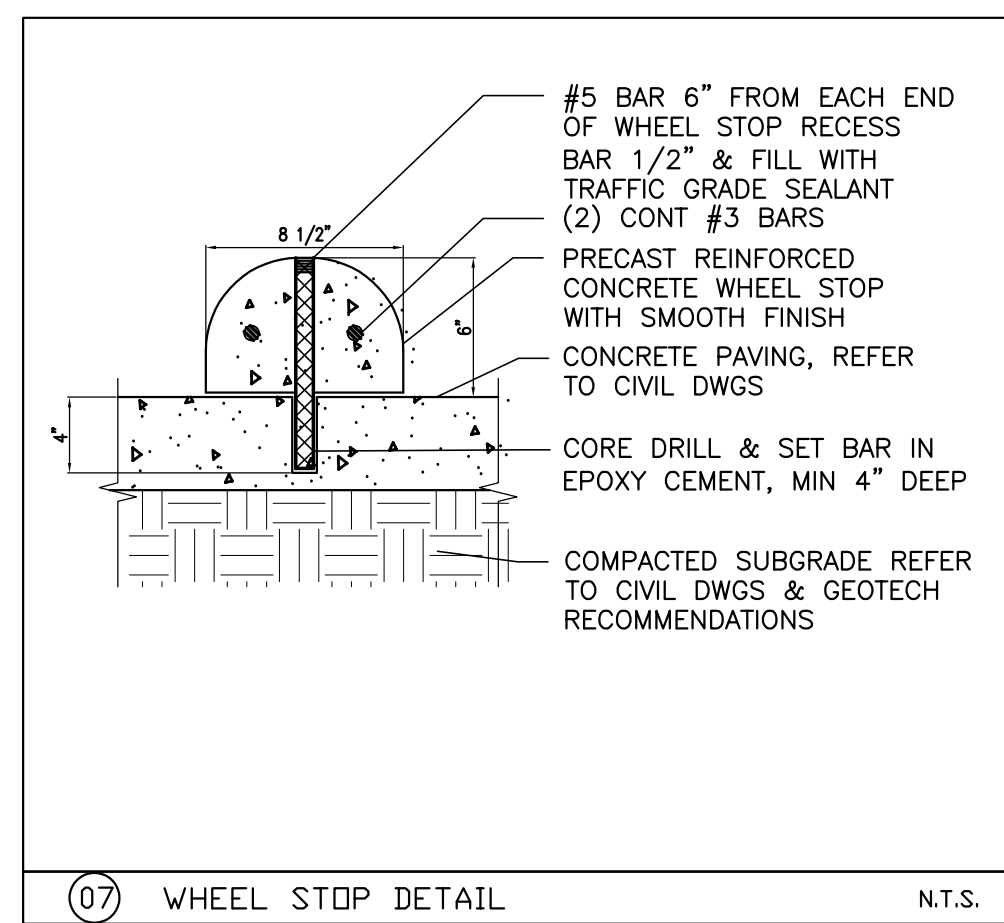
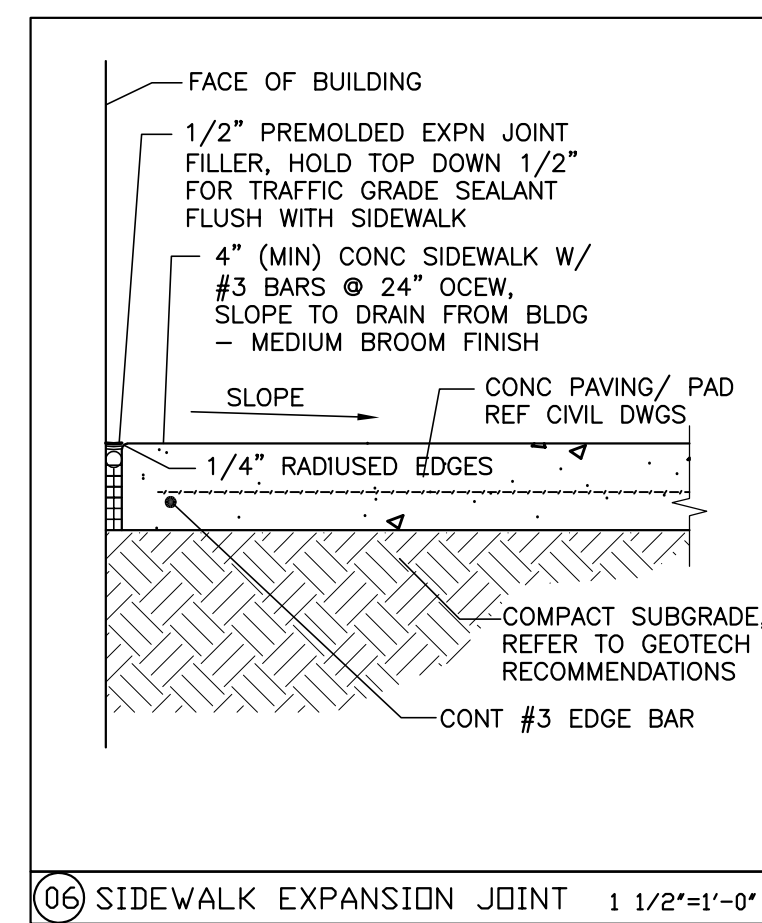
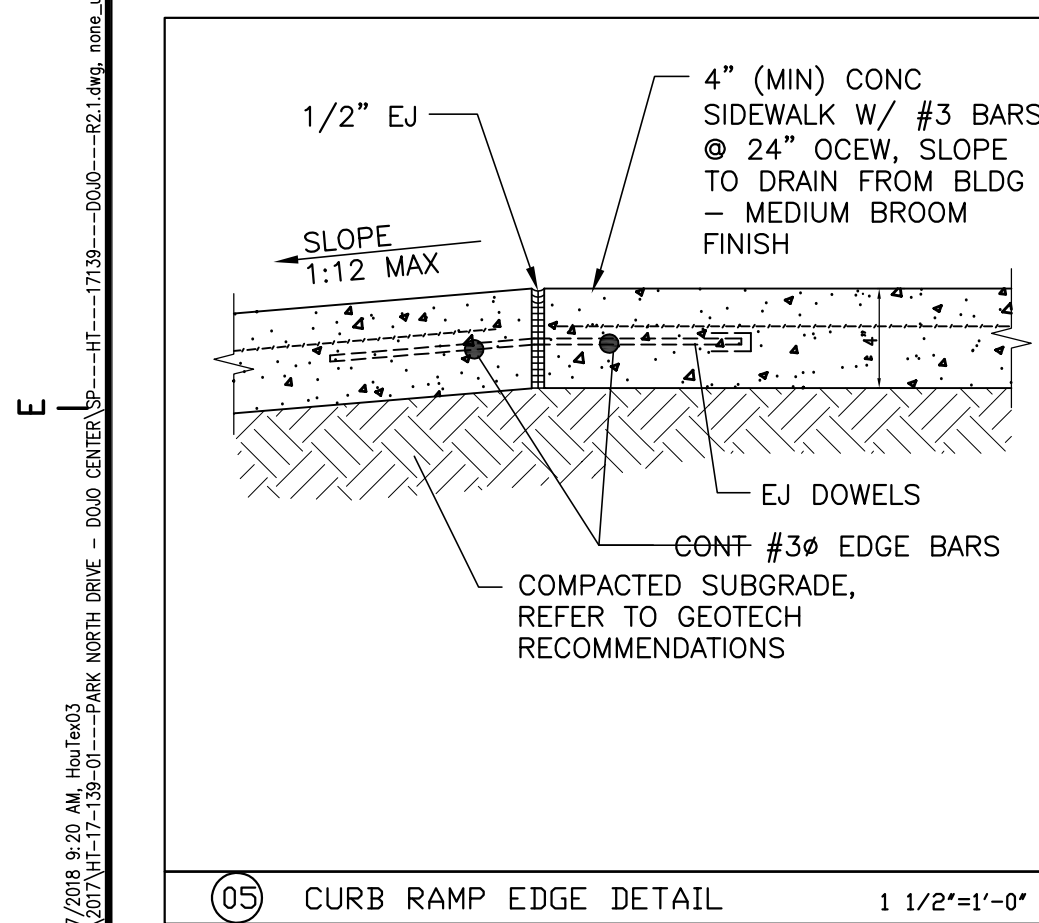
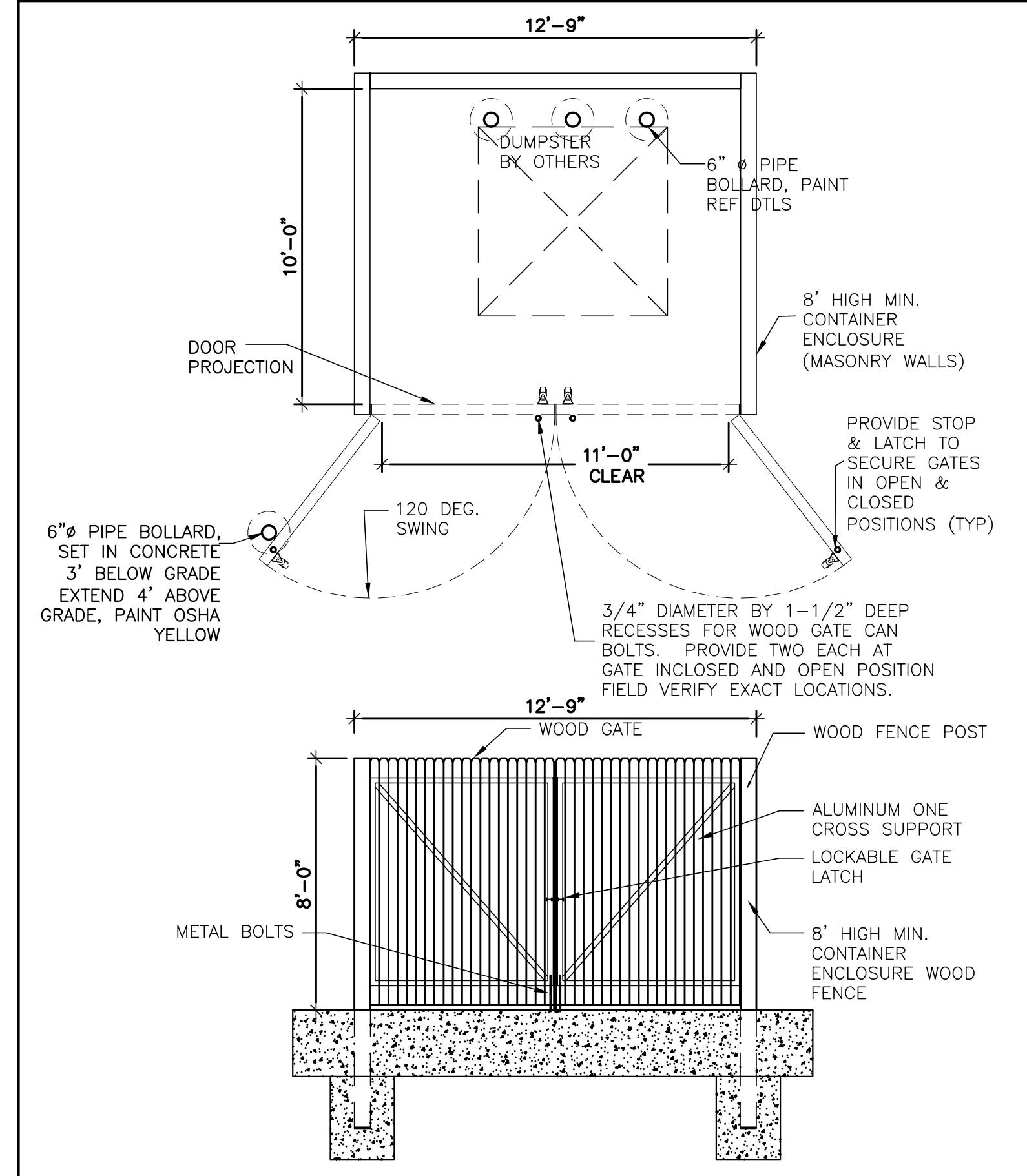
- FIRE LANE MUST BE INSTALLED BEFORE ANY VERTICAL CONSTRUCTION BEGINS
 - KNOX BOX WITH THE FIRE DEPARTMENT'S KEYWAY, MUST BE MOUNTED ON THE EXTERIOR NEAR THE MAIN ENTRANCE, NO HIGHER THAN 6' FROM THE GROUND. KNOX BOXES MUST BE INSTALLED WITH THE PROPER KEYS INSIDE PRIOR TO ISSUANCE OF CERTIFICATE OF OCCUPANCY.
- FORT BEND COUNTY FIRE CODES NOTES

THE FIRE APPARATUS ACCESS ROAD SHALL EXTEND TO WITHIN 150 FEET (45, 720MM) OF ALL PORTIONS OF THE FACILITY AND ALL PORTIONS OF THE EXTERIOR WALLS OF THE FIRST STORY OF THE BUILDING AS MEASURED BY AN APPROVED ROUTE AROUND THE EXTERIOR OF THE BUILDING OR FACILITY.

THE ONE-HUNDRED FIFTY (150) FEET SHALL BE MEASURED ALONG A TEN (10) FOOT WIDE UNOBSTRUCTED LEVEL PATHWAY NOT EXCEEDING A SLOPE OF 5:1, AROUND THE EXTERNAL WALLS OF THE STRUCTURE.

AN UNOBSTRUCTED FIVE- (5) FOOT WIDE LEVEL PATHWAY SHALL BE PROVIDED THROUGH ALL BARRIERS.

FIRE LANE EASEMENTS SHALL BE PROVIDED TO SERVE ALL BUILDINGS THROUGH PARKING AREAS, TO SERVICE ENTRANCES OF BUILDINGS, LOADING AREAS AND TRASH COLLECTION AREAS AND OTHER AREAS DEEMED NECESSARY TO BE AVAILABLE TO FIRE AND EMERGENCY VEHICLES.



HOUTEX ENGINEERING, LLC.
9111 Katy Freeway, Suite 226
Houston, Texas 77024
E-mail: info@houtexengineering.com
Phone: (713) 973-1400 Fax: (281) 888-9001
Civil Engineering and Consultant
FIRM NAME: HOUTEX ENGINEERING
FIRM REGISTRATION NUMBER: F-12522

STATE OF TEXAS
REGISTERED PROFESSIONAL ENGINEER
ZIAEDDIN MOHAMMADI
67639
08/01/2018

DATE	REVISION	FOR F. B. C. FIRE MARSHAL COMMENTS
8/7/2018		

PROP. OFFICE WAREHOUSE
NORTH PARK WAREHOUSE (PHASE I)
7123 NORTH PARK DRIVE
HOUSTON, TX 77407

SITE PLAN DIMENSIONS
SCALE: 1" = 20'
CONTROL: SLP 29-Mar-18
RVS'D BY: SLP 7-Aug-18
CK'D BY: SLP APRV'D BY: ZM
PROJECT NO. HT1713901

SP.002
SHEET 3 OF 6

INFORMATION, DATA AND DRAWINGS EMBODIED IN THIS DRAWING ARE STRICTLY CONFIDENTIAL AND ARE SUPPLIED ON THE UNDERSTANDING THAT THEY WILL BE HELD CONFIDENTIAL AND NOT DISCLOSED TO THIRD PARTIES AND CANNOT BE REPRODUCED OR DIVULGED, IN WHOLE OR IN PART, WITHOUT WRITTEN AUTHORIZATION FROM HOUTEX ENGINEERING.